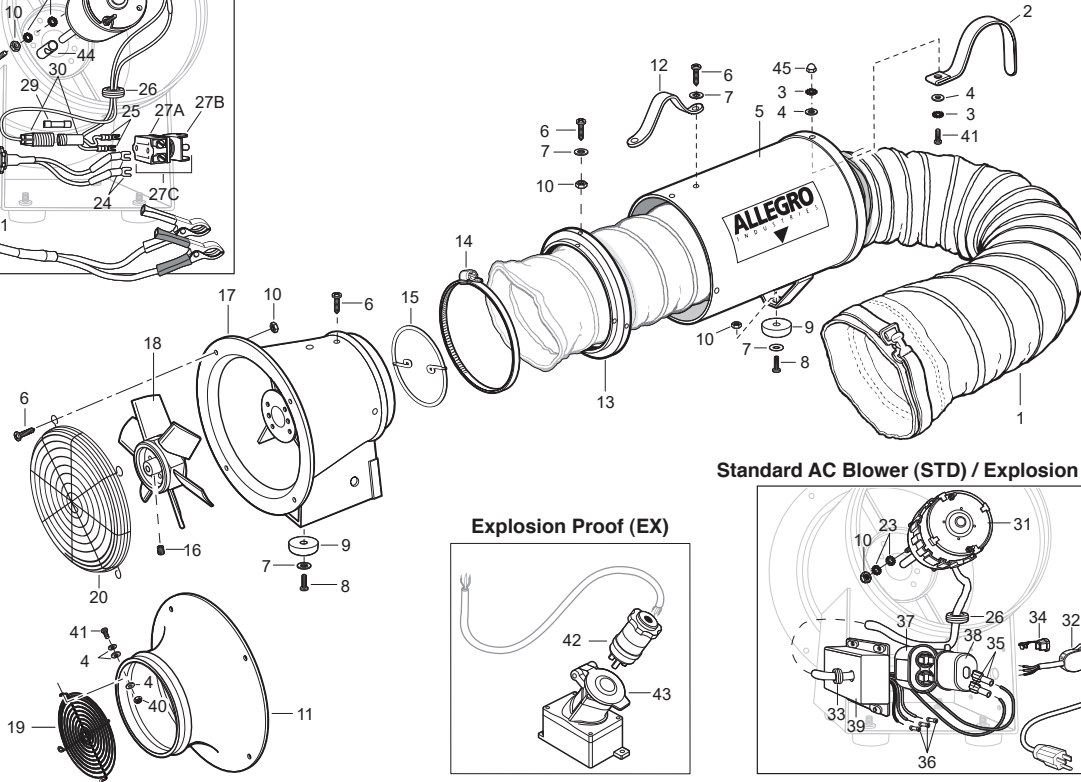
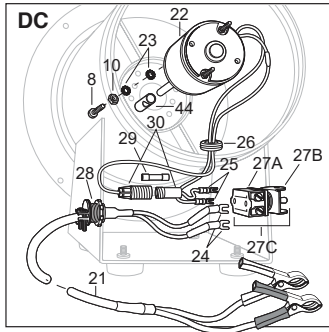


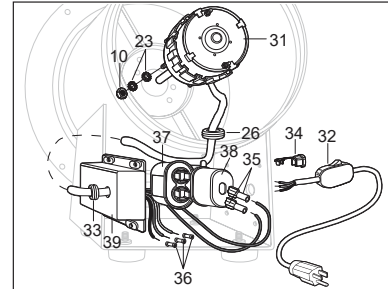
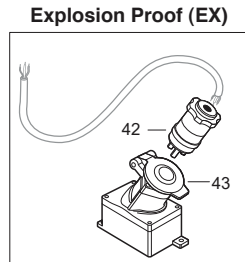


**PRODUCT:** **AXIAL METAL BLOWERS**

**PART NUMBER:** **9513, 9514, 9514-25 (AC)**  
**9506, 9506-01, 9506-25 (DC)**  
**9513-05, 9514-05, 9514-06 (EX)**  
**9513-I, 9513-05I (AXIAL INLINE BOOSTER) - DISCONTINUED**



**Standard AC Blower (STD) / Explosion Proof (EX)**



KEY	PART #	DESCRIPTION	KEY	PART #	DESCRIPTION	KEY	PART #	DESCRIPTION
	9513	Axial AC Metal Blower	5	9514-01A	15' Ducting Canister	27A	9865-13	Toggle Switch
	9513-05	Axial EX Metal Blower		9514-02A	25' Ducting Canister	27B	9865-14	Switch Guard
	9514	Axial AC Metal Blower w/ 15' Ducting	6	9800-66	Machine Screw	27C	9865-13A	Toggle Switch w/Guard
	9514-05	Axial EX Metal Blower w/ 15' Ducting	7	9500-63	Flat Washer	28	9506-04	Cord, Strain Relief
	9514-06	Axial EX Metal Blower w/ 25' Ducting	8	9500-75	Machine Screw	29	9506-11	Fuse
	9514-25	Axial AC Metal Blower w/ 25' Ducting	9	9505-06	Feet (Blower)	30	9506-42	Fuse Holder
	9506	Axial DC Metal Blower	10	9500-69	Nylon Lock Nut	31	9513-03	Motor (STD) 1/3 hp
	9506-01	Axial DC Metal Blower w/ 15' Ducting	11	9500-03A	8" Axial Intake Adapter		9513-03EX	Motor (EX) 1/3 hp (w/ Cord)
	9506-25	Axial DC Metal Blower w/ 25' Ducting	12	9513-07	Handle	32	9512-02	Cord (STD)
	9513-I	Axial AC Inline Metal Blower (DISCONTINUED)	13	9513-60	Canister Ring	33	9513-13	Grommet
	9513-05I	Axial EX Inline Metal Blower (DISCONTINUED)	14	9514-01B	Duct Clamp	34	9513-10	Cord, Strain Relief
1	9500-15A	15' Ventilation Ducting	15	9513-09	Motor Clamp	35	9513-15	Female Disc.
	9500-25A	25' Ventilation Ducting	16	9513-62	Set Screw	36	9513-14	Butt End Connector
	9500-15AEX	15' Static Conductive Ducting	17	9513-04	Chassis	37	9513-63	Capacitor
	9500-25AEX	25' Static Conductive Ducting	18	9513-01	Fan, STD	38	9513-64	Capacitor Boot
2	9514-01C	Strap w/ Hook, Duct Retainer		9513-01EX	Fan, EX	39	9513-11	Capacitor Housing
3	9500-71	Lock Washer	19	9534-02	Fan Guard	40	9800-87	Lock Nut
4	9800-85	Flat Washer	20	9513-02	Fan Guard	41	9800-84	Screw
			21	9506-40	Power Cord (w/ Clamps)	42	9503-02	Plug, 20A/125V, EX (Sold Separately)
			22	9506-10	Motor (DC) 1/3 hp	43	9503-03	Receptacle, 20A/125V, EX
			23	9500-71	Lock Washer	44	9513-61	Retaining Sleeve
			24	9800-78	Yellow Spade	45	9800-89	Acorn Nut
			25	9500-94	Blue Spade			
			26	9513-12	Grommet			