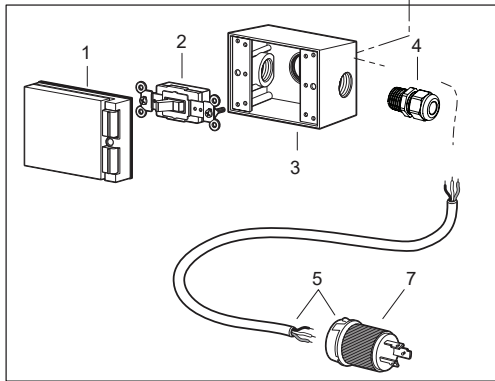
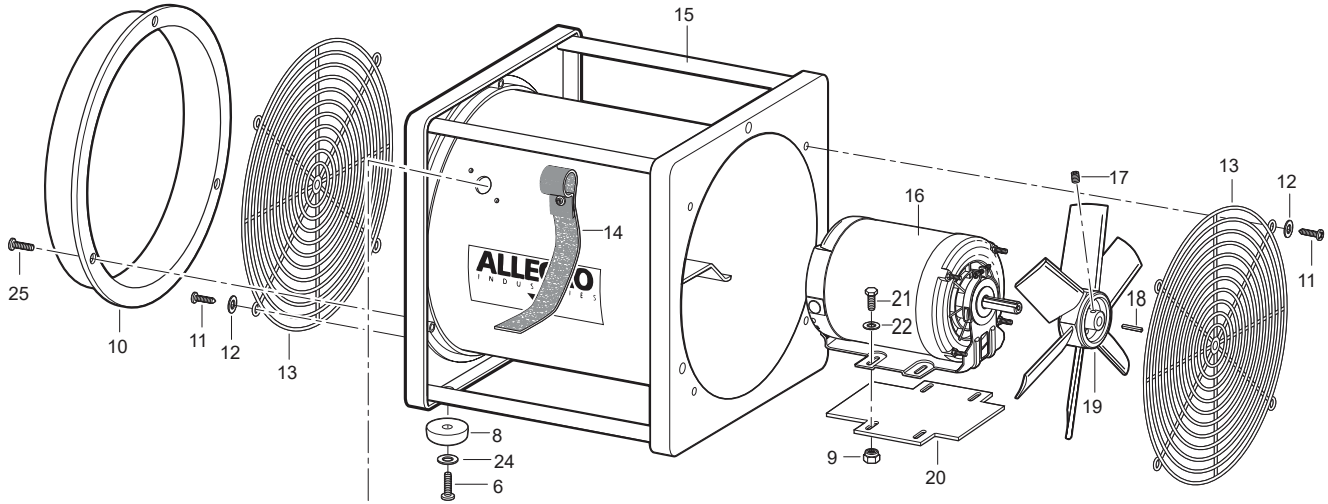
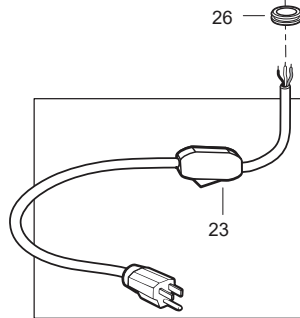




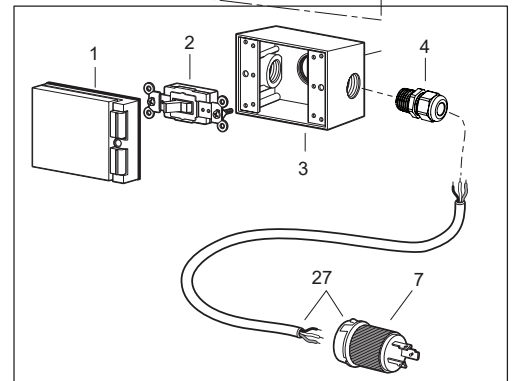
**PRODUCT:** AXIAL AC STANDARD METAL BLOWERS  
**PART NUMBER:** 9515 (16" STANDARD), 9516 (16" HIGH OUTPUT), 9525 (20" STANDARD), 9525-50 (20" HIGH OUTPUT), 9530 (26" STANDARD)



**High Output Blower (HO)**  
 16" (9516)  
 20" (9525-50)



**Standard Blower (STD)**  
 16" (9515)  
 20" (9525)



**Standard Blower (STD)**  
 26" (9530)

KEY	PART #	DESCRIPTION	KEY	PART #	DESCRIPTION	KEY	PART #	DESCRIPTION
	9515	16" Axial AC Standard Metal Blower	9	9500-68	K-Nut	17	9513-62	Socket Set Screw
	9516	16" Axial AC High Output Metal Blower	10	9515-03R	16" Metal Duct Ring Adapter	18	9505-09A	Key (For STD only)
	9525	20" Axial AC Standard Metal Blower		9515-03RP	16" Plastic Duct Ring Adapter	19	9515-14	6 Blade Fan (16" STD)
	9525-50	20" Axial AC High Output Metal Blower		9525-03RP	20" Plastic Duct Ring Adapter		9515-06	3 Blade Fan (16" HO)
	9530	26" Axial AC Standard Metal Blower		9530-03RP	26" Plastic Duct Ring Adapter		9525-14	3 Blade Fan (20" STD)
			11	9500-75	Machine Screw		9525-06	4 Blade Fan (20" HO)
			12	9513-16	Grommet		9530-06	3 Blade Fan (26" STD)
			13	9515-02	Grill (16" Blower)	20	9515-04	Motor Mount Pad
				9525-02	Grill (20" Blower)	21	9500-82	Tap Bolt
				9530-02	Grill (26" Blower)	22	9800-61	Flat Washer
1	9516-09	Switch Cover	14	9515-30	Cord Restraining Handle	23	9515-07	Cord w/ Switch (STD)
2	9516-08	Switch	15	9515-05	Chassis (16" Blower)	24	9500-63	Flat Washer
3	9516-07	Switch Housing		9525-05	Chassis (20" Blower)	25	9800-66	Machine Screw
4	9515-12	1/2" Liquid Tight Strain Relief		9530-05	Chassis (26" Blower)	26	9515-11	Grommet (STD)
5	9516-20	Cord w/ Plug Assy., 30A/125V (HO)	16	9515-10	Motor 1/2 hp 120V (16" & 20" STD)	27	9533-75	Cord w/ Plug Assy., 30A/125V (26" Std.)
6	9800-68	Machine Screw		9516-04	Motor 2 hp 120V (16" & 20" HO)			
7	9842-74	Plug 115V		9530-04	Motor 2 hp 120V (26" STD)			
8	9505-06	Feet						