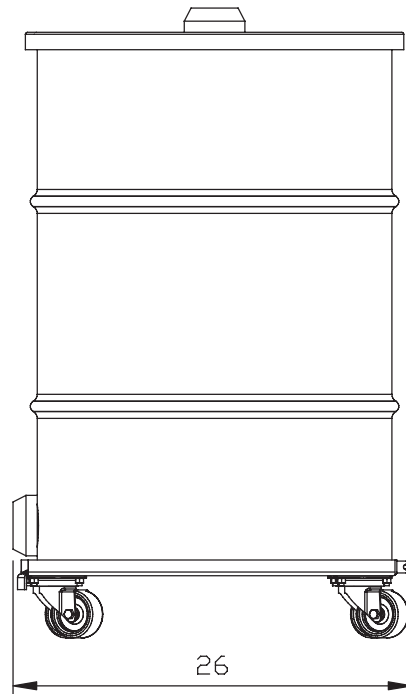
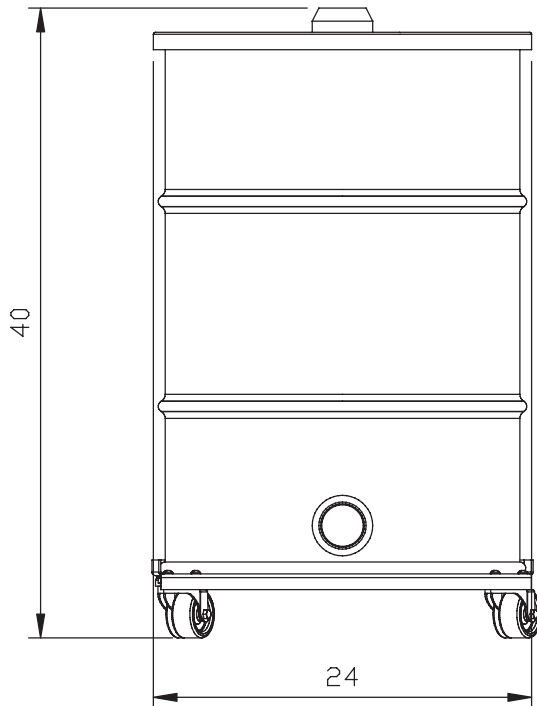


PRE-SEPARATION Bulk Collection



Option



Option



Bulk Collection Standard Specifications

- 10 Gauge Steel Interceptor Lid with Urethane Top Coat
- 2" (50mm) or 2.75" (70mm) Inlet/Outlet
- 30 Gallon Drum
- Internal Screen for Burlap Bag Insert
- Drum Dolly with Heavy Duty 3" Casters
- Swivel Cart Connector
- 30 Gallon Burlap Bag
- Connecting Hose from Drum to Vacuum

Base Price¹: Bulk Collection - Call for Pricing

ADDER	DESCRIPTION
Z	55 gallon Capacity Drum, Lid & Dolly ¹
NN	Tipping Assembly for 55 Gallon Drum ¹